

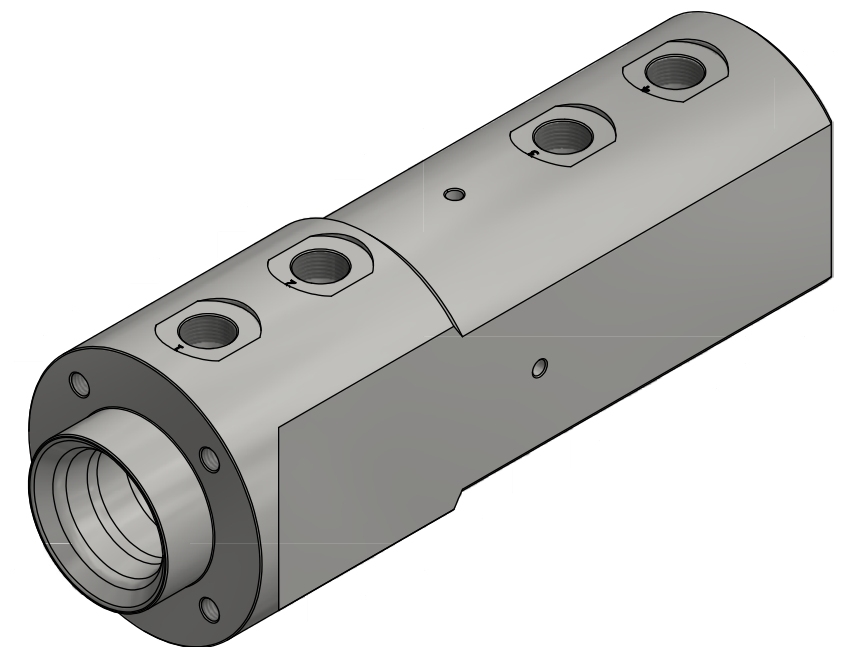
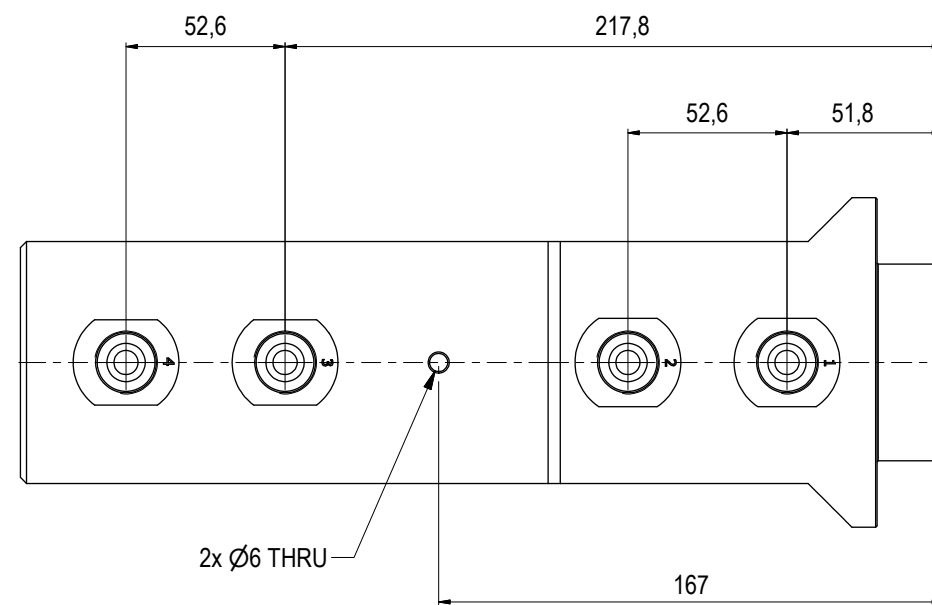
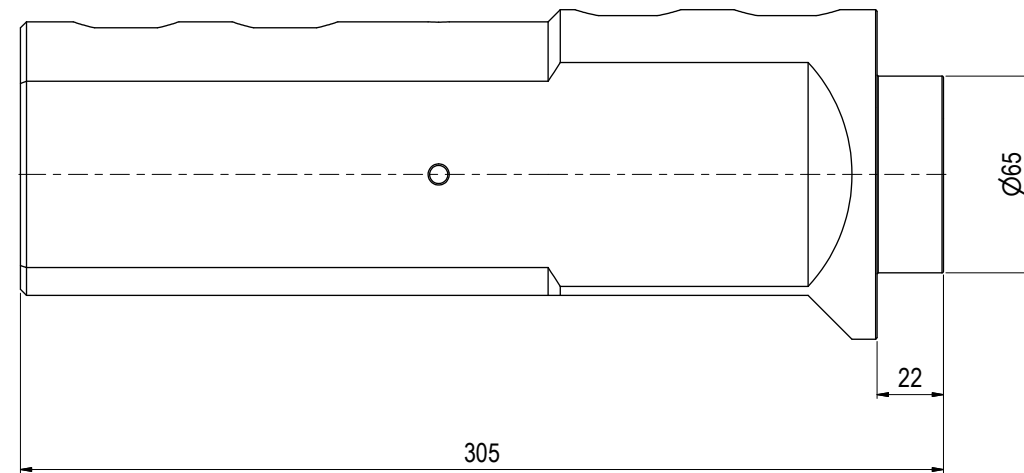
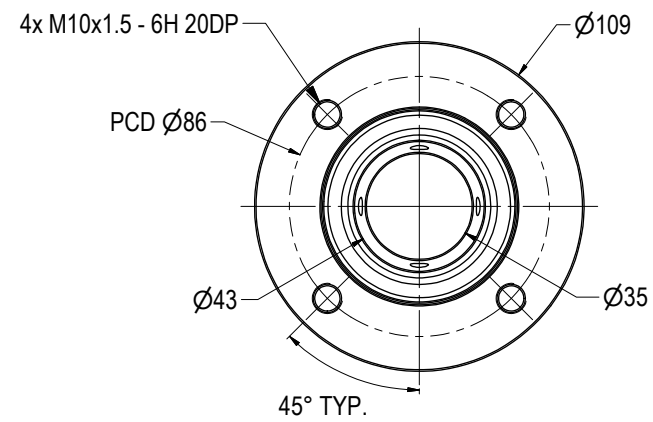
NOTE: 1  
 DESIGN CODE:  
 API 17H Type 2  
 API 6A

NOTE: 2  
 TECHNICAL CLASSIFICATION:  
 Article Type: 001-Hot Stabs  
 Main Group: 1.02. Ø35/Ø43 Hot Stab  
 Intermediate Group: 1.3.02. Receptacle  
 Sub Group: 1.3.10.04. Quad

NOTE: 3  
 INTERFACE INFORMATION:  
 Pressure Rating Bar: 690  
 Design Water Depth: N/A  
 Material: S32760 SUPER DUPLEX  
 Weight: 12,7 kg  
 Volume: 1,61 dm<sup>3</sup>  
 Submerged Weight: 11,01 kg  
 Surface Area: 1539 cm<sup>2</sup>  
 Hydraulic: 9/16" MP  
 Mechanical: 4xM10@PCD 86  
 Electrical: N/A  
 Com. & Protocol: N/A

NOTE: 4  
 WEB LINK:  
<http://e-sea.bluelogic.no/main.aspx?page=article&artno=BA5914>

NOTE: 5  
 ADDITIONAL INFORMATION:  
 Other hydraulic port interface can be delivered on customers request.



Rev.	Date	Reason for issue	Revision change	Made	Chk'd	Appr.
02	7.2.2024	7-IFC (Issued for Construction)		HNJ	TAN	HNJ
01	10.11.2014	2-IFT (Issued for Tender)		HNJ	NA	NA

**BLUE LOGIC**

This Drawing is the Property of Blue Logic AS © and must Not be Loaned, Reproduced or Transferred to others without written Permission

Dwg Scale:	NTS
Dwg Proj:	
Dwg Format:	A3

Drawing title:	Ø35/Ø43 QP Rec 10k Long-term MP 9/16"	
Drawing number:	BA5914	Rev: 02